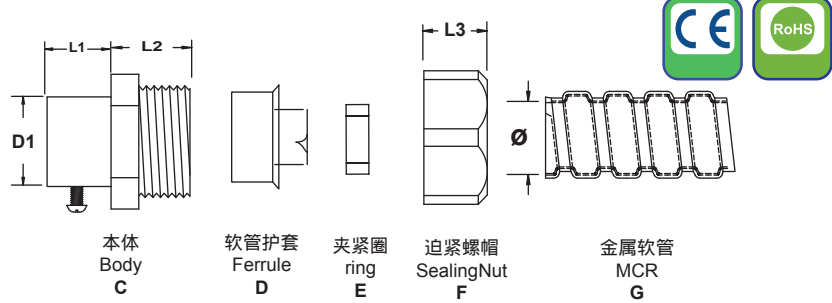


RCCN 日成NBE型锁紧式金属软管接头 Conduit Fittings



产品材质:C.F部位均采用优质加厚型锌合金制成.E采用丁腈橡胶(NBR)制成.D为铁皮压铸制成.

产品认证:欧洲CE,欧洲环保RoHS

产品特性: 1.连接无螺纹钢,用顶丝固定住.NBE规格L1/L2与NBF相同
2.除以下标准规格外,可另按需求任意订制特殊大小尺寸

Material:A.C.F are made from zinc coated metal.B.E are made of NBR.D is made of iron sheet.

Certificates:CE RoHS

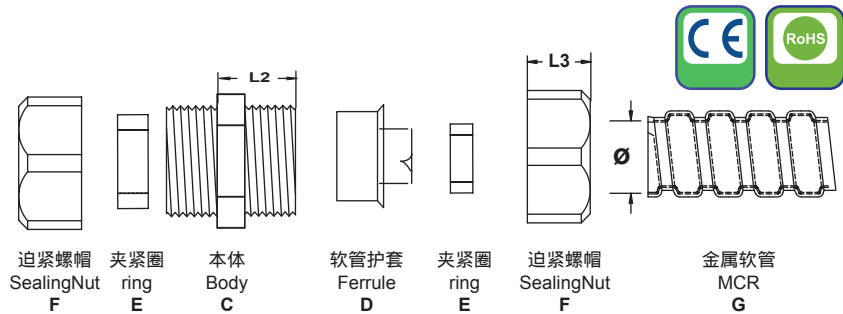
Operate T.: -40°C to 100°C, 120°C in a short time.

Special thread can be produced

单位/Unit:mm

型号 Item No.	配套日成金属软管 RCCN MCR suitable RCCN metal flexible conduit MCR			厚钢管(水,煤,气管) Thicker steel tube(water,coal,gas tube)D1				薄钢管(电线管) Thinner tube(electric tube D1)			
	对应型号 Corresponding item no	公制 Metric ø	英制 British	公称 Public size	英称 British size	外径 Outer dia.	壁厚 Thickness	公称 Public size	英称 British size	外径 Outer dia.	壁厚 Thickness
NBE-04G	MCR-04	13	3/8"	#12	3/8"	17.00	2.25	15	5/8"	15.87	1.6
NBE-05G	MCR-05	16	1/2"	#15	1/2"	21.25	2.75	20	3/4"	19.05	1.8
NBE-06G	MCR-06	20	3/4"	#20	3/4"	26.75	2.75	25	3/4"	25.40	1.8
NBE-08G	MCR-08	25	1"	#25	1"	33.50	3.25	32	3/4"	31.75	1.8
NBE-10G	MCR-10	32	1 1/4"	#32	1 1/4"	42.25	3.25	40	1 1/2"	38.10	1.8
NBE-12G	MCR-12	38	1 1/2"	#40	1 1/2"	48.00	3.50	50	2"	50.80	2.0
NBE-16G	MCR-16	51	2"	#50	2"	60.00	3.50	70	2 1/2"	63.50	2.5
NBE-20G	MCR-20	64	2 1/2"	#70	2 1/2"	75.50	3.75	80	3"	76.20	3.2
NBE-24G	MCR-24	80	3"	#80	3"	88.50	4.00				
NBE-32G	MCR-32	100	4"	#100	4"	114.0	4.00				

RCCN 日成NBK型双头固定式金属软管接头 Conduit Fittings



产品材质:C.F部位均采用优质加厚型锌合金制成.E采用丁腈橡胶(NBR)制成.D为铁皮压铸制成.

产品认证:欧洲CE,欧洲环保RoHS

产品特性: 1.连接无螺纹钢,用顶丝固定住.NBF规格L1/L2与NBF相同
2.除以下标准规格外,可另按需求任意订制特殊大小尺寸

Material:C.F are made from zinc coated metal.E are made of NBR.D is made of iron sheet.

Certificates:CE RoHS

Special thread can be produced

单位/Unit:mm

型号 Item No.	配套日成金属软管 RCCN MCR suitable RCCN metal flexible conduit MCR			厚钢管(水,煤,气管) Thicker steel tube(water,coal,gas tube)D1				薄钢管(电线管) Thinner tube(electric tube D1)			
	对应型号 Corresponding item no	公制 Metric ø	英制 British	公称 Public size	英称 British size	外径 Outer dia.	壁厚 Thickness	公称 Public size	英称 British size	外径 Outer dia.	壁厚 Thickness
NBK-04G	MCR-04	13	3/8"	#12	3/8"	17.00	2.25	15	5/8"	15.87	1.6
NBK-05G	MCR-05	16	1/2"	#15	1/2"	21.25	2.75	20	3/4"	19.05	1.8
NBK-06G	MCR-06	20	3/4"	#20	3/4"	26.75	2.75	25	3/4"	25.40	1.8
NBK-08G	MCR-08	25	1"	#25	1"	33.50	3.25	32	3/4"	31.75	1.8
NBK-10G	MCR-10	32	1 1/4"	#32	1 1/4"	42.25	3.25	40	1 1/2"	38.10	1.8
NBK-12G	MCR-12	38	1 1/2"	#40	1 1/2"	48.00	3.50	50	2"	50.80	2.0
NBK-16G	MCR-16	51	2"	#50	2"	60.00	3.50	70	2 1/2"	63.50	2.5
NBK-20G	MCR-20	64	2 1/2"	#70	2 1/2"	75.50	3.75	80	3"	76.20	3.2
NBK-24G	MCR-24	80	3"	#80	3"	88.50	4.00				
NBK-32G	MCR-32	100	4"	#100	4"	114.0	4.00				